

Rocker Switch (RS8-1 Series)



RS8-1-F-168-BK/BR-P45-B-Whithout Support



RS8-1-F-168-RE/BR-P45-A-Whith Support

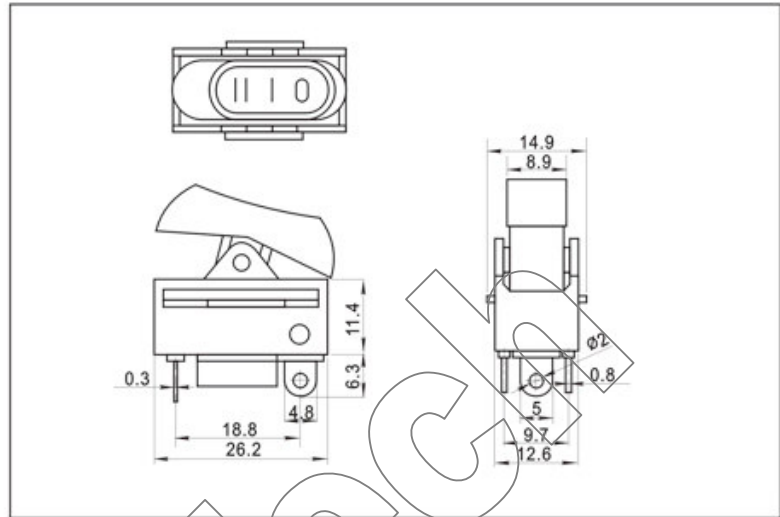


RS8-1-E-152/TS-RE/BR-P45-V-Whith Support

SPECIFICATIONS

- 10 (2) A 250VAC 5E4
- 16 (3) A 250VAC 1E4 T85/55
- 16A 125V 1E4 T85
- 10A 250VAC

ROHS Compliance



EXPLANATION MODEL NUMBER

RS8 - 1 - E - 168 - RE/BK - P45 - A - With Support

